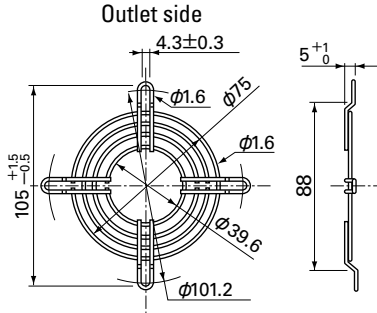


Options (unit: mm)

Finger Guards

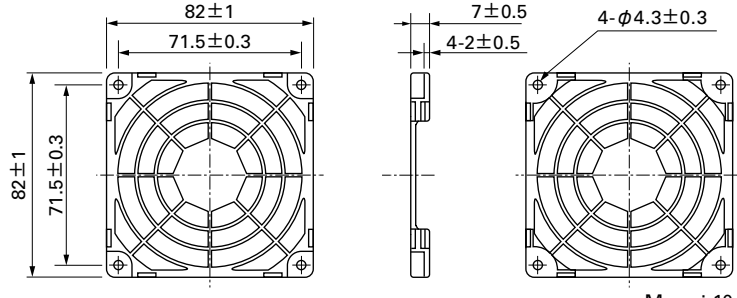
Model : 109-049C Color Surface treatment : Nickel-chrome plating (silver)



Mass : 17g

Resin Finger Guards

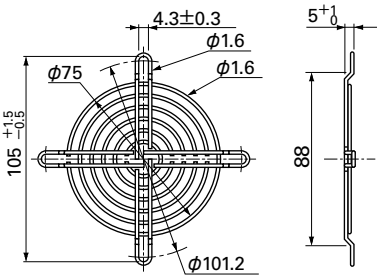
Model : 109-1002G



Mass : 10g

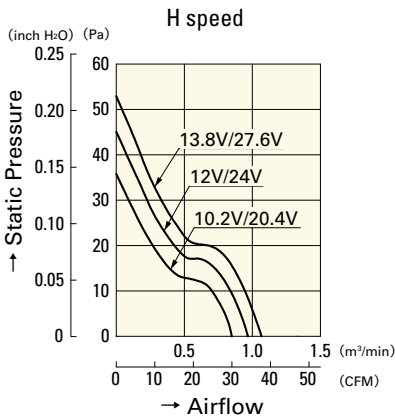
Model : 109-049E Color Surface treatment : Nickel-chrome plating (silver)
 : 109-049H : Cation electropainting (black)

Inlet side, Outlet side

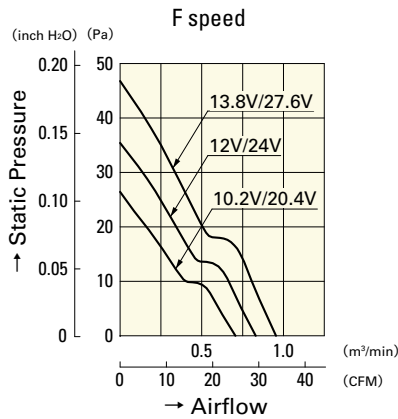


Mass : 21g

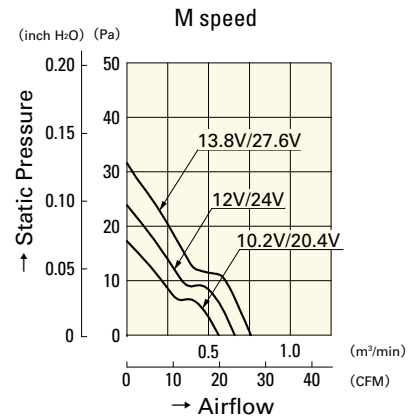
Airflow - Static Pressure Characteristics



9WS0812H401
9WS0824H401



9WS0812F401
9WS0824F401



9WS0812M401
9WS0824M401