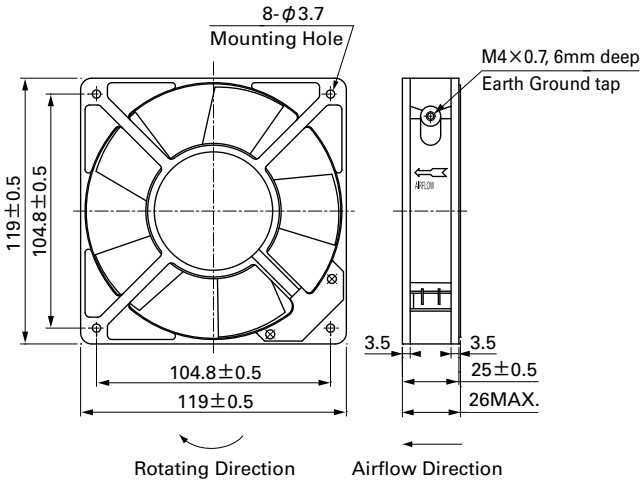


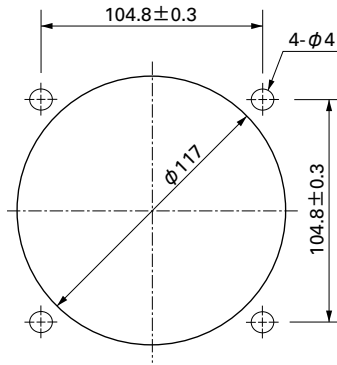
## ■ Dimensions (unit: mm)

### Standard



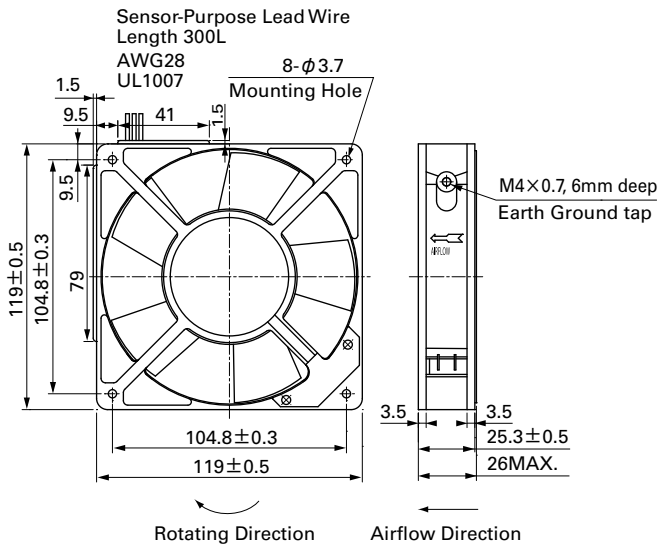
## ■ Reference Dimensions of Mounting Holes and Vent Opening (unit: mm)

Inlet side, Outlet side



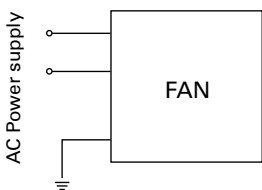
### with Sensor

When mounting the model with a sensor, please screw-mount through both flanges as it has a sensor box.



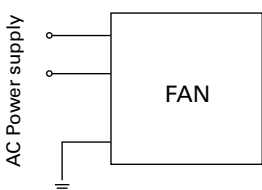
## ■ Wiring Diagram

### Standard

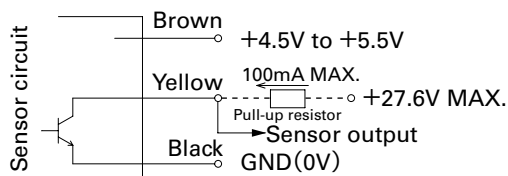


### with Sensor

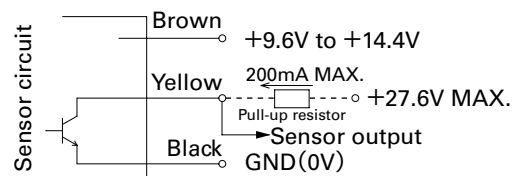
(For fan power supply)



### 5V (ITEM-20)



### 12V (ITEM-30)



GND (Black) should be shared in case that power supply for sensor circuit (Brown) and that for sensor pull-up (Yellow) are separated.

**120** mm sq.

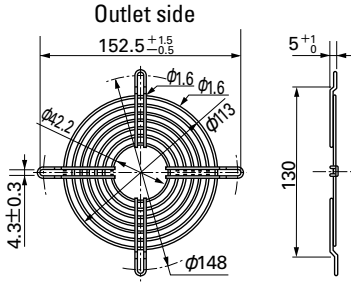
# San Ace 120

**120×120×25** mm (Mass : 370g / 390g (with Sensor))

## Options (unit: mm)

### Finger Guards

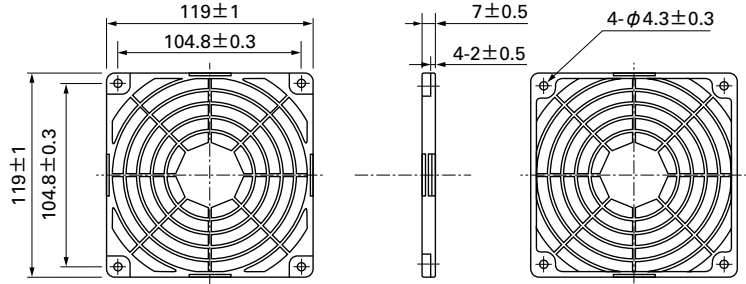
Model : 109-019C Surface treatment : Nickel-chrome plating (silver) Color  
 : 109-019H : Cation electropainting (black)



Mass : 32g

### Resin Finger Guards

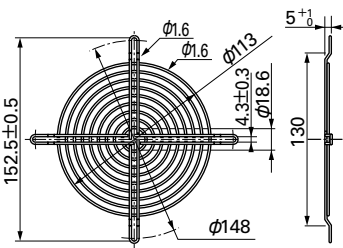
Model : 109-1000G



Mass : 23g

Model : 109-019E Surface treatment : Nickel-chrome plating (silver) Color  
 : 109-019K : Cation electropainting (black)

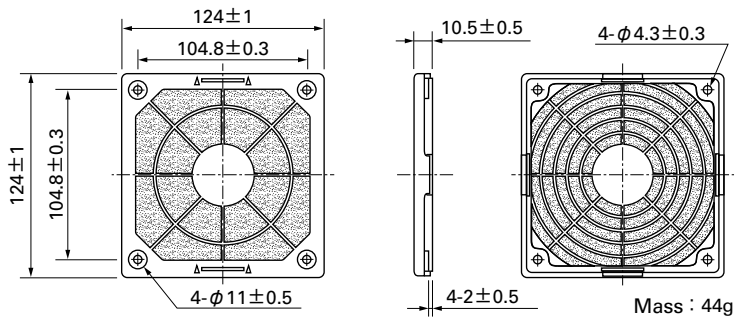
### Inlet side, Outlet side



Mass : 42g

### Resin Filter Kits

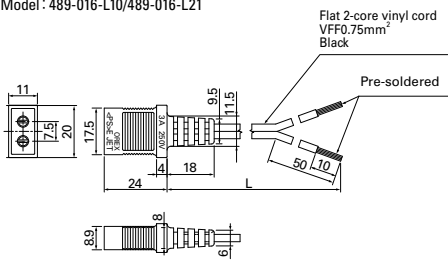
Model : 109-1000F13 (13PPI), 109-1000F20 (20PPI)  
 : 109-1000F30 (30PPI), 109-1000F40 (40PPI)



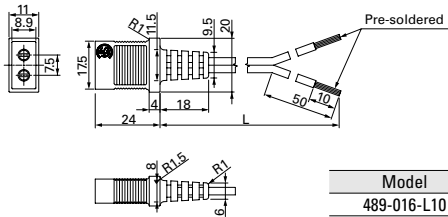
Mass : 44g

### Plug Cord

(Products compliant with Electrical Appliance and Material Safety Law)  
 Model : 489-016-L10/489-016-L21



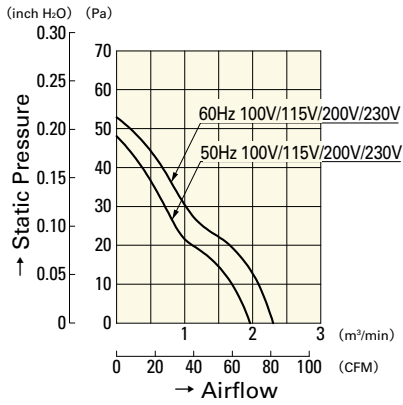
(UL/CSA CERTIFIED)  
 UL FILE No.E50197 CSA FILE No.LR67048  
 Model : 489-047-L10/489-047-L21



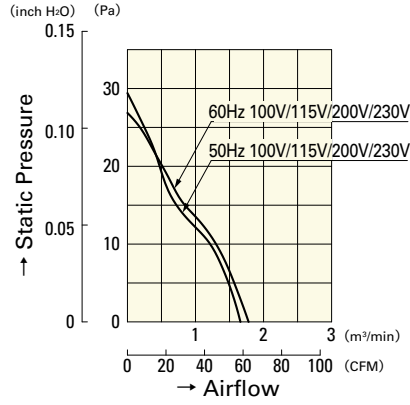
Model	Power cord length (L) [mm]	Mass [g]
489-016-L10	1,000	34
489-016-L21	2,100	64
489-047-L10	1,000	38
489-047-L21	2,100	71

## Airflow - Static Pressure Characteristics

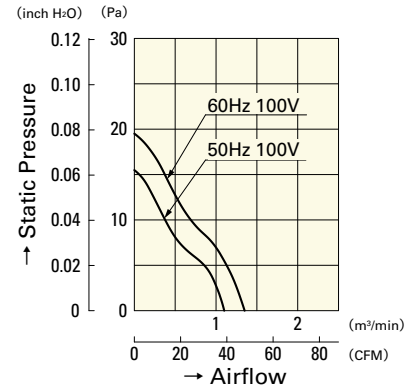
### Standard



**109S085**  
**109S084**  
**109S088**  
**109S087**

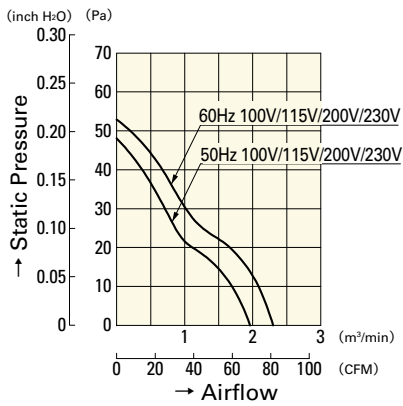


**109S081**  
**109S083**  
**109S082**  
**109S089**

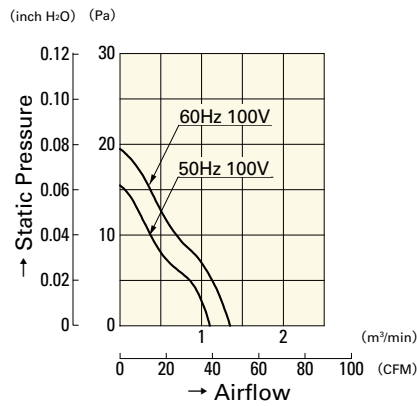


**109S086**

### with Sensor



**109S485**  
**109S484**  
**109S488**  
**109S487**



**109S486**