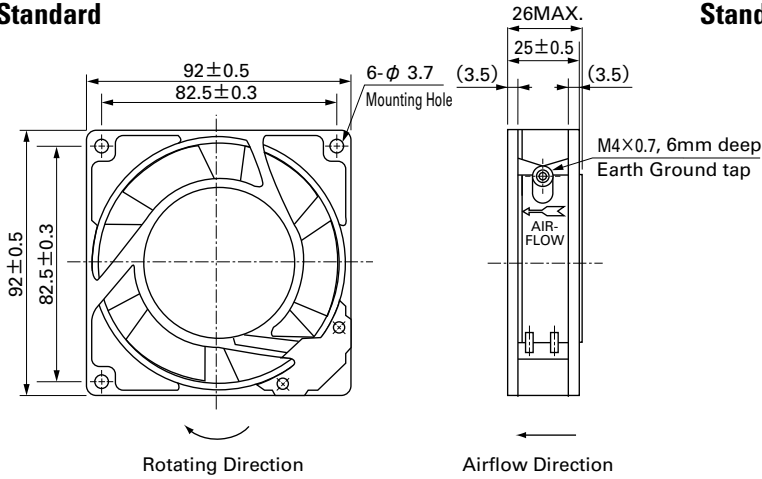


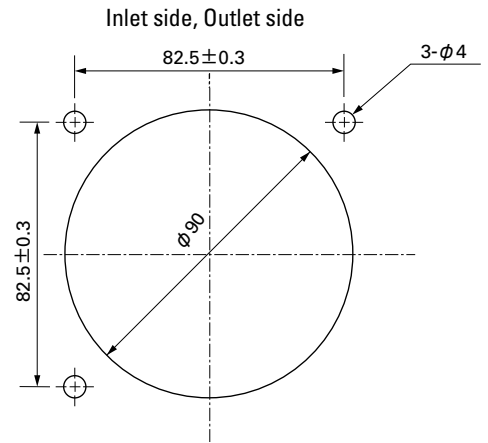
■ Dimensions (unit: mm)

Standard

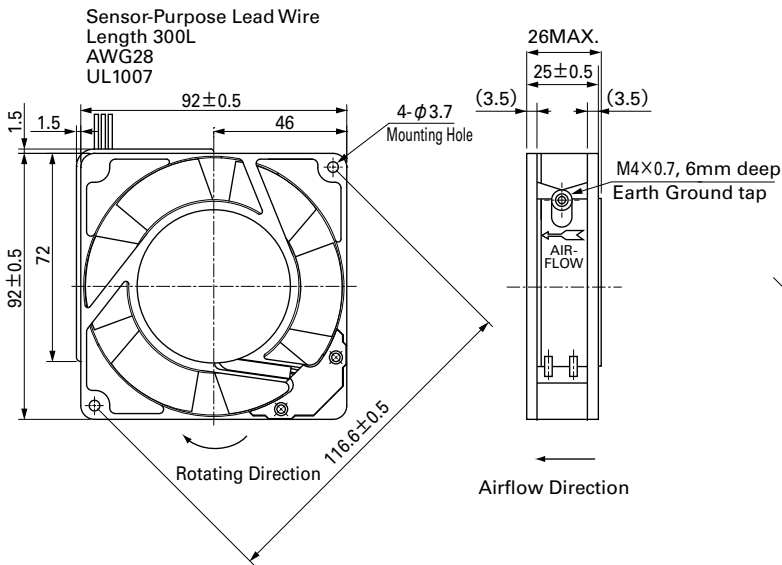


■ Reference Dimensions of Mounting Holes and Vent Opening (unit: mm)

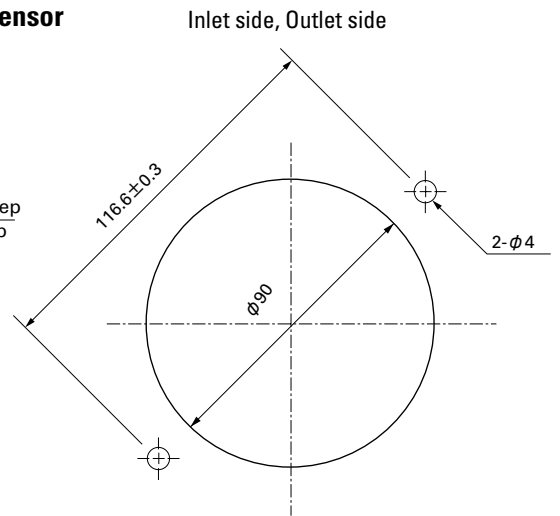
Standard



with Sensor

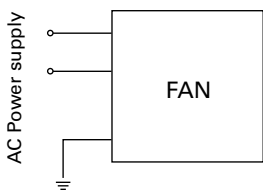


with Sensor



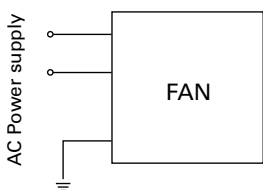
■ Wiring Diagram

Standard

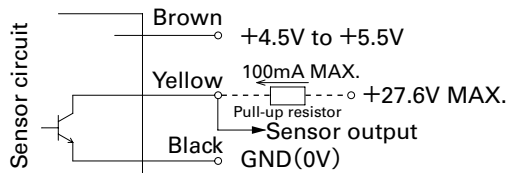


with Sensor

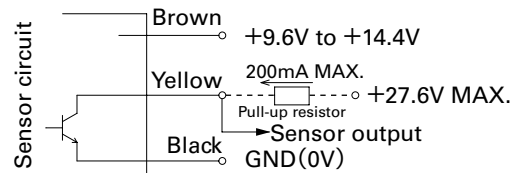
(For fan power supply)



5V (ITEM-20)



12V (ITEM-30)



GND (Black) should be shared in case that power supply for sensor circuit (Brown) and that for sensor pull-up (Yellow) are separated.

92 mm sq.

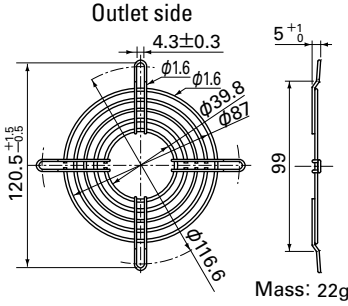
San Ace 92

92×92×25mm [Mass : 290g / 310g (with Sensor)]

Options (unit: mm)

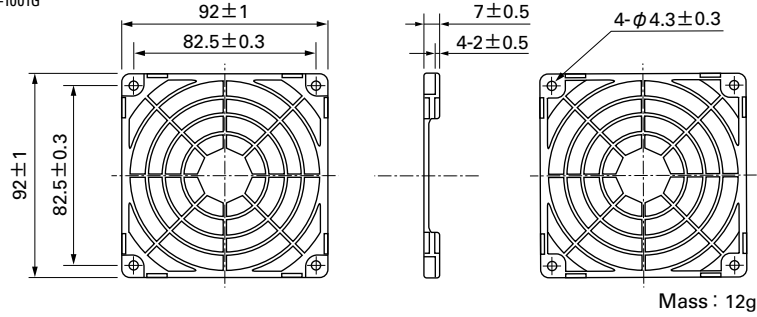
Finger Guards

Model : 109-099C Surface treatment : Nickel-chrome plating (silver) Color



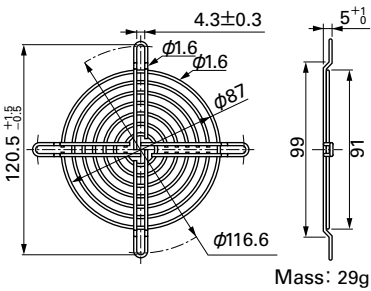
Resin Finger Guards

Model : 109-1001G



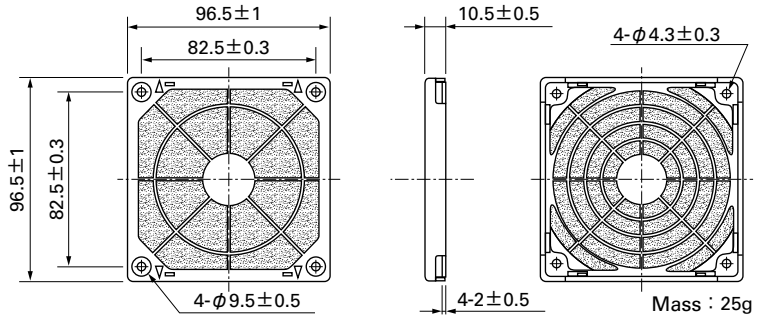
Model : 109-099E Surface treatment : Nickel-chrome plating (silver) Color
 : 109-099H : Cation electroplating (black)

Inlet side, Outlet side



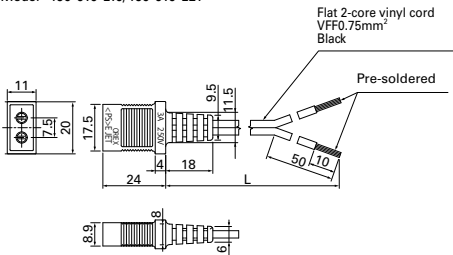
Resin Filter Kits

Model : 109-1001F13 (13PPI), 109-1001F20 (20PPI)
 : 109-1001F30 (30PPI), 109-1001F40 (40PPI)

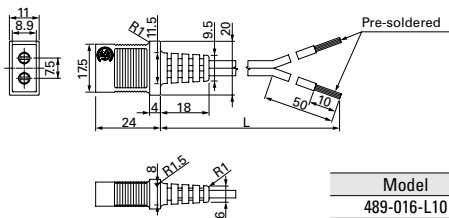


Plug Cord

(Products compliant with Electrical Appliance and Material Safety Law)
 Model : 489-016-L10/489-016-L21



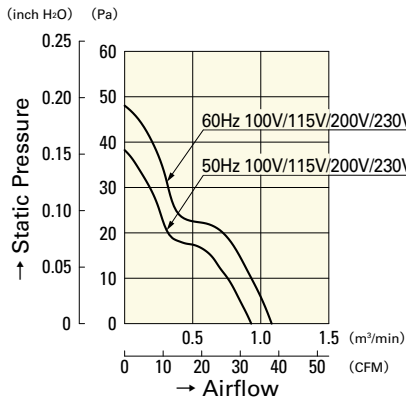
(UL/CSA CERTIFIED)
 UL FILE No.E50197 CSA FILE No.LR67048
 Model : 489-047-L10/489-047-L21



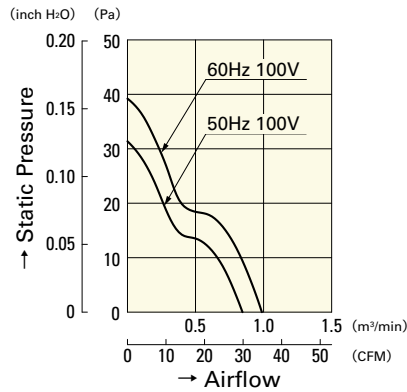
Model	Power cord length (L) [mm]	Mass [g]
489-016-L10	1,000	34
489-016-L21	2,100	64
489-047-L10	1,000	38
489-047-L21	2,100	71

Airflow - Static Pressure Characteristics

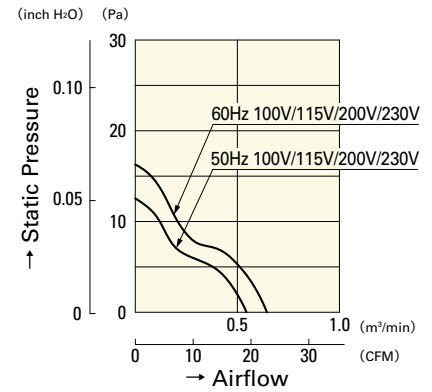
Standard



109S091
109S093
109S092
109S094

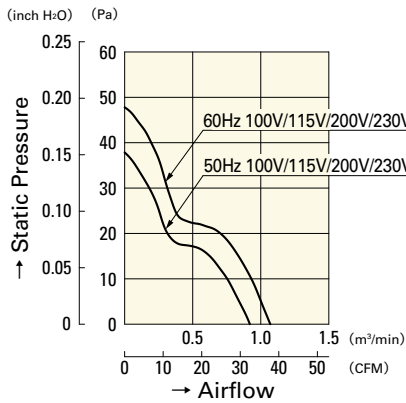


109S095

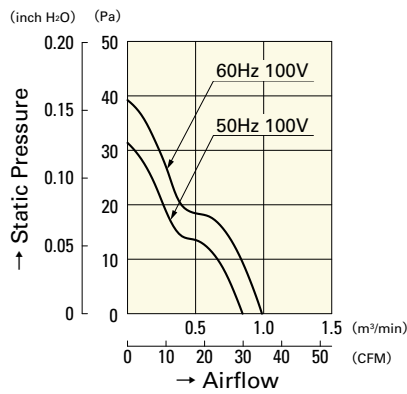


109S096
109S193
109S192
109S194

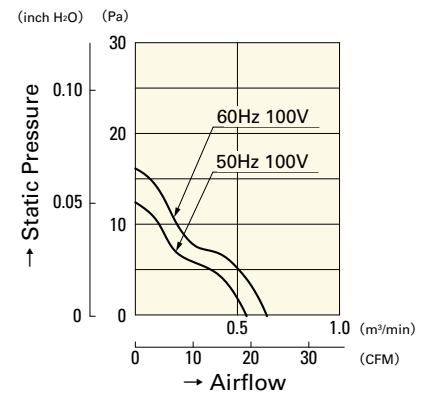
with Sensor



109S491
109S493
109S492
109S494



109S495



109S496