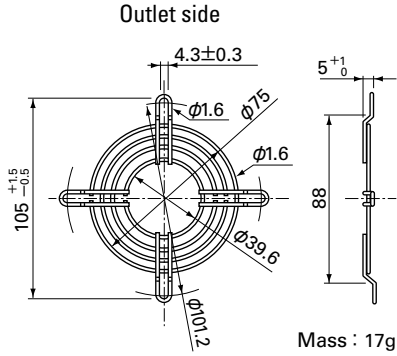


Options (unit: mm)

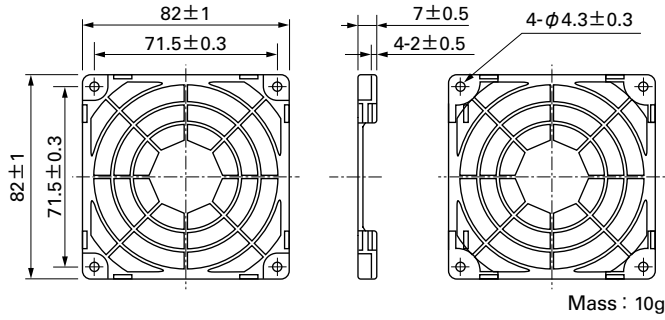
Finger Guards

Model : 109-049C Color Surface treatment : Nickel-chrome plating (silver)



Resin Finger Guards

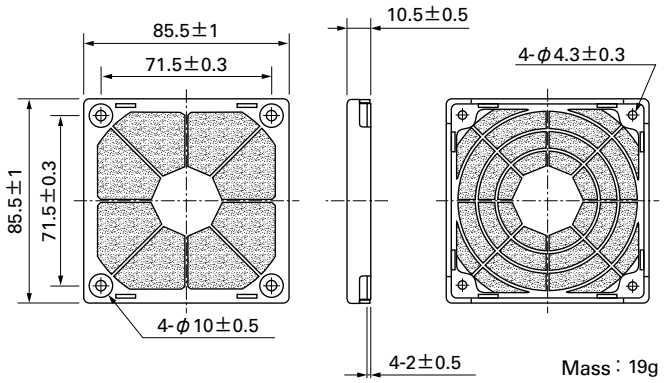
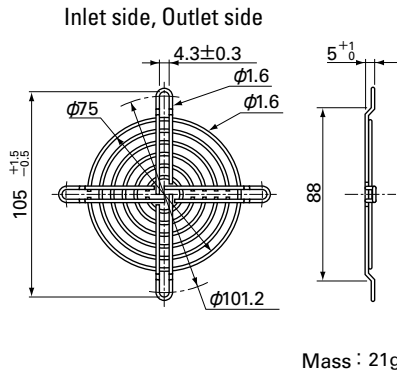
Model : 109-1002G



Model : 109-049E Color Surface treatment : Nickel-chrome plating (silver)
Model : 109-049H Color Surface treatment : Cation electropainting (black)

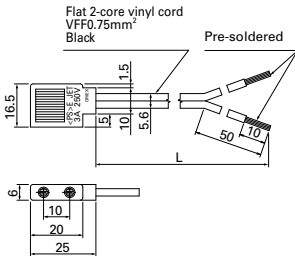
Resin Filter Kits

Model : 109-1002F13 (13PPI), 109-1002F20 (20PPI)
Model : 109-1002F30 (30PPI), 109-1002F40 (40PPI)



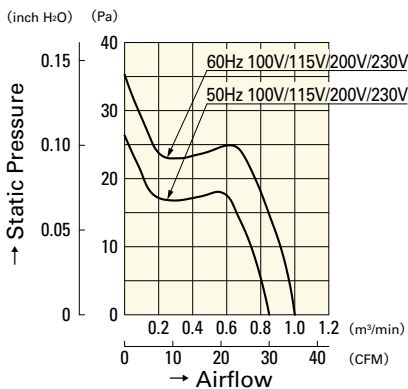
Plug Cord

(Products compliant with Electrical Appliance and Material Safety Law)
Model : 489-008-L10/489-008-L21/489-008-L35

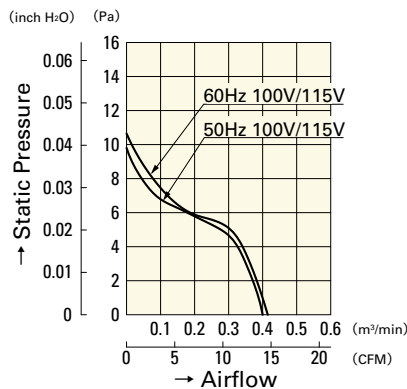


Model	Power cord length (L) [mm]	Mass [g]
489-008-L10	1,000	30
489-008-L21	2,100	61
489-008-L35	3,500	99

Airflow - Static Pressure Characteristics



109-040UL
109-043UL
109-041UL
109-044UL



109-047UL
109-033UL