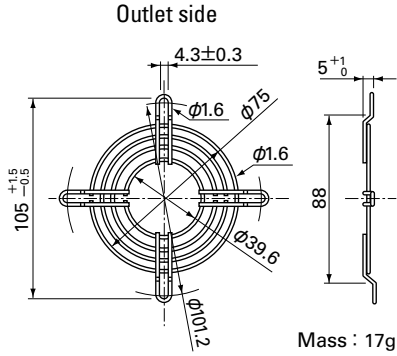


Options (unit: mm)

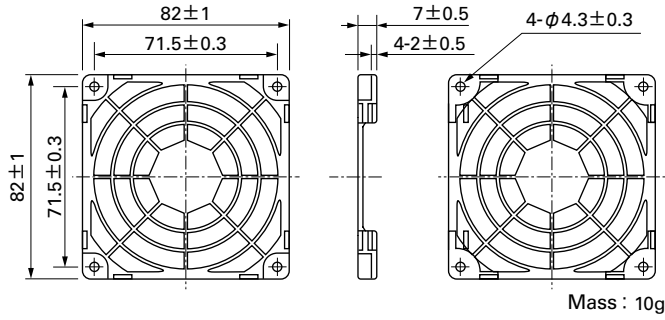
Finger Guards

Model : 109-049C Color : Nickel-chrome plating (silver)



Resin Finger Guards

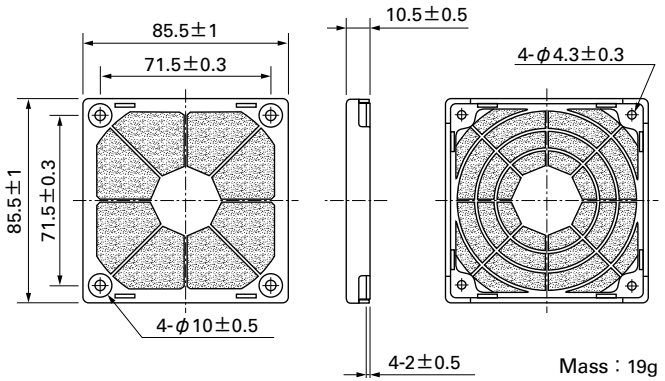
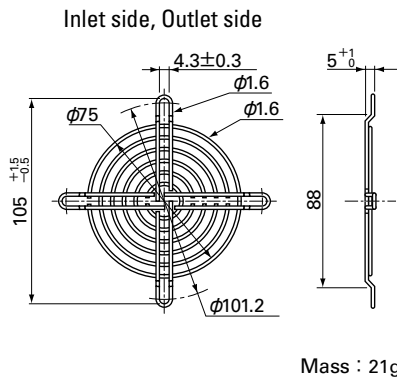
Model : 109-1002G



Model : 109-049E Color : Nickel-chrome plating (silver)
: 109-049H Color : Cation electropainting (black)

Resin Filter Kits

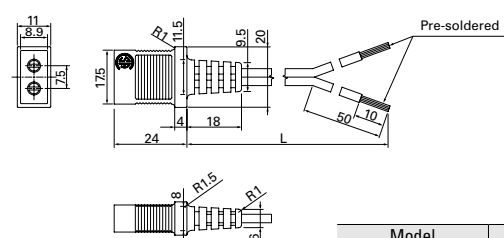
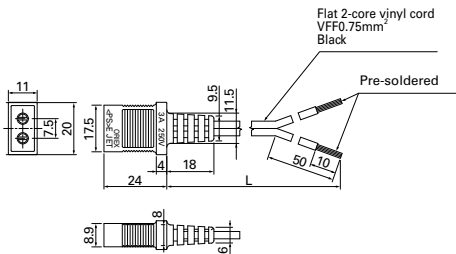
Model : 109-1002F13 (13PPI), 109-1002F20 (20PPI)
: 109-1002F30 (30PPI), 109-1002F40 (40PPI)



Plug Cord

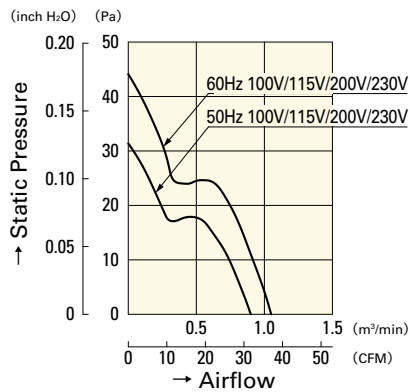
(Products compliant with Electrical Appliance and Material Safety Law)
Model : 489-016-L10/489-016-L21

(UL/CSA CERTIFIED)
UL FILE No.E50197 CSA FILE No.LR67048
Model : 489-047-L10/489-047-L21



| Model | Power cord length (L) [mm] | Mass [g] |
|-------------|----------------------------|----------|
| 489-016-L10 | 1,000 | 34 |
| 489-016-L21 | 2,100 | 64 |
| 489-047-L10 | 1,000 | 38 |
| 489-047-L21 | 2,100 | 71 |

Airflow - Static Pressure Characteristics



109-150
109-153
109-151
109-154