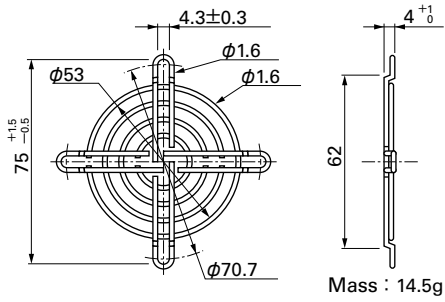


Options (unit: mm)

Finger Guards

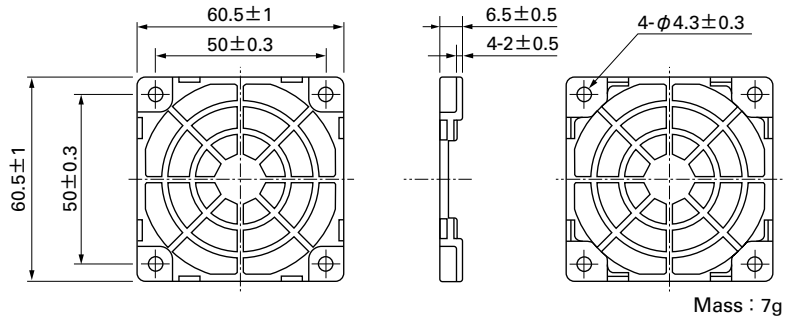
Model : 109-139E Surface treatment : Nickel-chrome plating Color (silver)
 : 109-139H : Cation electropainting (black)

Inlet side, Outlet side



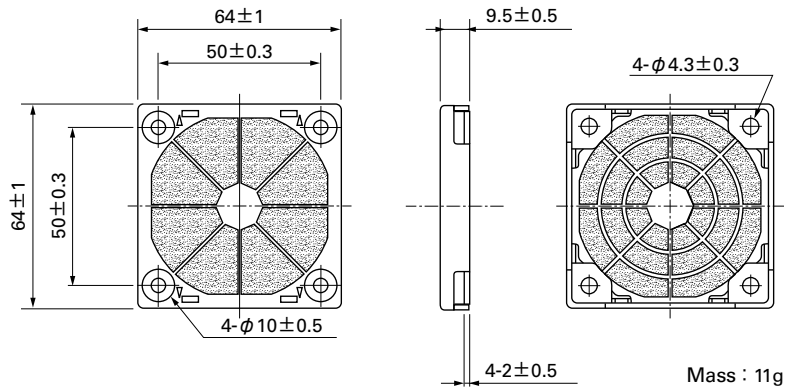
Resin Finger Guards

Model : 109-1003G

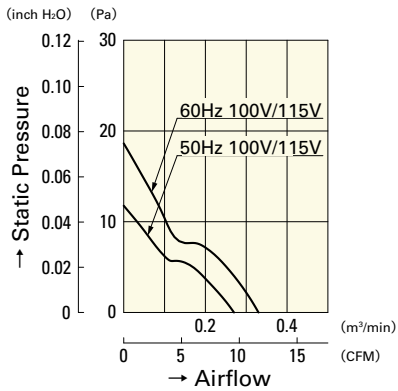


Resin Filter Kits

Model : 109-1003F13 (13PPI), 109-1003F20 (20PPI)
 : 109-1003F30 (30PPI), 109-1003F40 (40PPI)



Airflow - Static Pressure Characteristics



109-180

109-183

AC

AC Fan 60mm