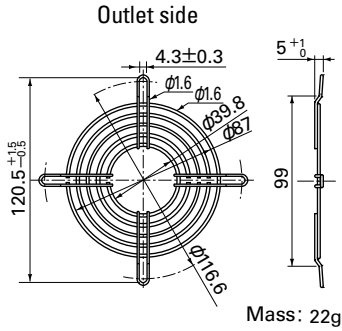


## Options (unit: mm)

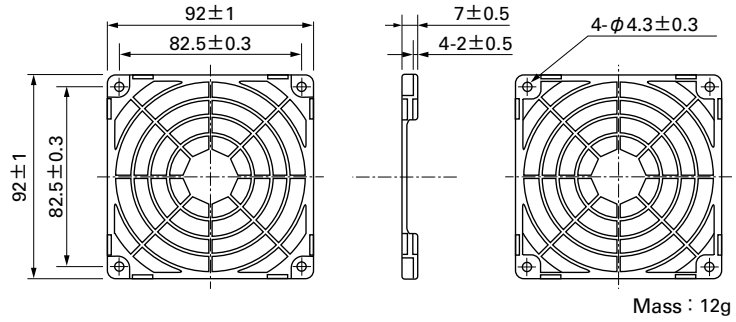
### Finger Guards

Model : 109-099C Surface treatment : Nickel-chrome plating (silver) Color : Nickel-chrome plating (silver)



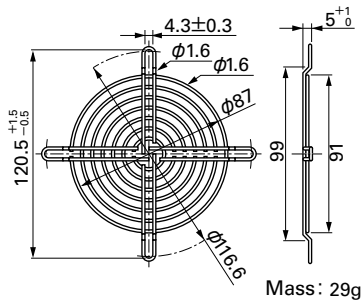
### Resin Finger Guards

Model : 109-1001G

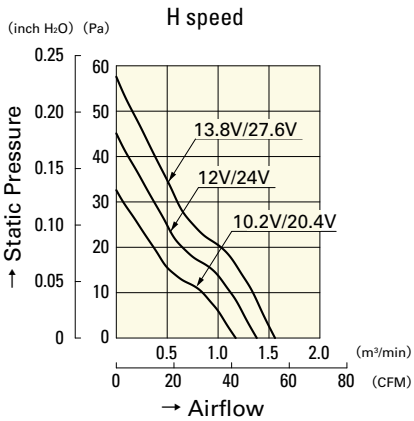


Model : 109-099E Surface treatment : Nickel-chrome plating (silver) Color : Nickel-chrome plating (silver)  
: 109-099H : Cation electropainting (black)

### Inlet side, Outlet side

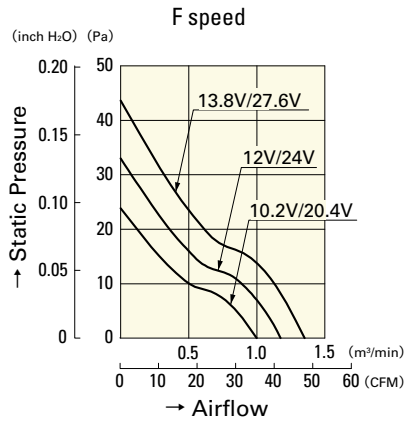


## Airflow - Static Pressure Characteristics



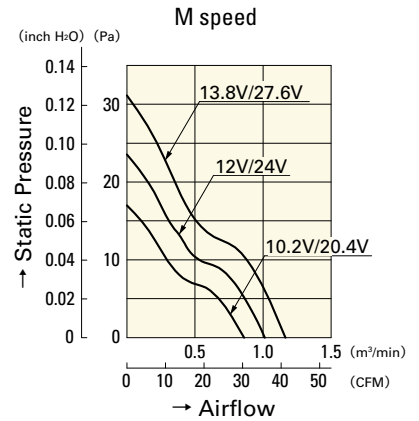
9WS0912H401

9WS0924H401



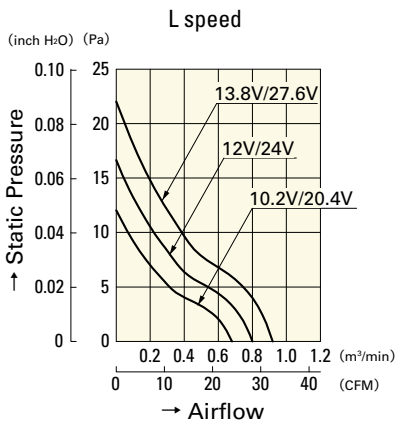
9WS0912F401

9WS0924F401



9WS0912M401

9WS0924M401



9WS0912L401

9WS0924L401