

# 75920 SERIES MASTER BATTERY DISCONNECT SWITCHES

400A • SPST • IP68 • Integrated lockout tag-out



## Description

The 75920 Master Battery Disconnect switch is designed to protect service personnel and your vehicle systems. The switch protects vehicles from both battery drain and theft as well as allowing service personnel to lock-out tag-out. It also serves as an effective emergency power cutoff.

## Features/Benefits

- High amperage capacity: 400A at 12V DC
- Can be used in high side or low side applications
- Waterproof and dustproof to IP68 - switch can be mounted in exposed locations
- Composite engineered polymer housing will not rust or corrode. Tested per SAE 1455 for salt, calcium chloride and magnesium chloride
- Large knob is easy to operate with gloves
- 90° switch travel makes it easy to identify the switch position
- Large divider on base prevents accidental shorting of high energy cables
- Fits standard Master Disconnect mounting pattern

## Ordering Information

PART NUMBERS			SWITCH POSITION SYMBOLS	BATTERY TERMINAL		
BULK	BOXED	RETAIL		THREADS	TORQUE	MATERIAL
75920	75920-BX	75920-BP	"On" - "Off"	3/8-24"	70-90in-lbs (8-10 Nm)	Copper
75920-01	-	-	"On" - "Off"	3/8-24"	70-90in-lbs (8-10 Nm)	Copper
75920-03	-	-	"On" - "Off"	3/8-24"	70-90in-lbs (8-10 Nm)	Copper
75920-05	75920-05-BX	-	"I" - "O"	3/8-24"	70-90in-lbs (8-10 Nm)	Copper
75920-10	75920-10-BX	-	"On" - "Off"	3/8-24"	70-90in-lbs (8-10 Nm)	Copper
75921-02	-	-	"On" - "Off"	M10x1.5	70-90in-lbs (8-10 Nm)	Copper
75921-10	75921-10-BX	-	"I" - "O"	M10x1.5	70-90in-lbs (8-10 Nm)	Copper

Need a custom version? This product can be made available with a custom knob and bezel design. Please contact your sales rep to discuss lead time and minimum order requirements.

## Specifications

<b>Operating Voltage:</b>	6V min, 36V max
<b>Continuous Current:</b>	12V: 400A max 24V: 300A max 36V: 200A max
<b>Intermittent Current:</b>	12V: 1000A 90 sec on, 5 min off 12V: 1500A 60 sec on, 5 min off 12V: 2000A 30 sec on, 5 min off 12V: 3000A 15 sec on, 5 min off
<b>Operating Temp:</b>	-40 to +85 °C
<b>Ingress Protection:</b>	IP68
<b>Corrosion Test:</b>	96 hours - salt spray test to ASTM standard
<b>Vibration and Shock Test:</b>	SAE J1455
<b>Mounting Stem:</b>	Threads: 3/4"-16 Max Torque: 18 ft-lbs (24.4 Nm)
<b>Knob Retention Screw Torque:</b>	7.0 in-lbs +/- 2.0 in-lbs 0.79 Nm +/- 0.23Nm

## Applications

- Heavy Truck
- Off-Road
- Emergency Vehicles
- Material Handling
- Mining
- Agricultural
- Marine
- Construction

## Web Resources

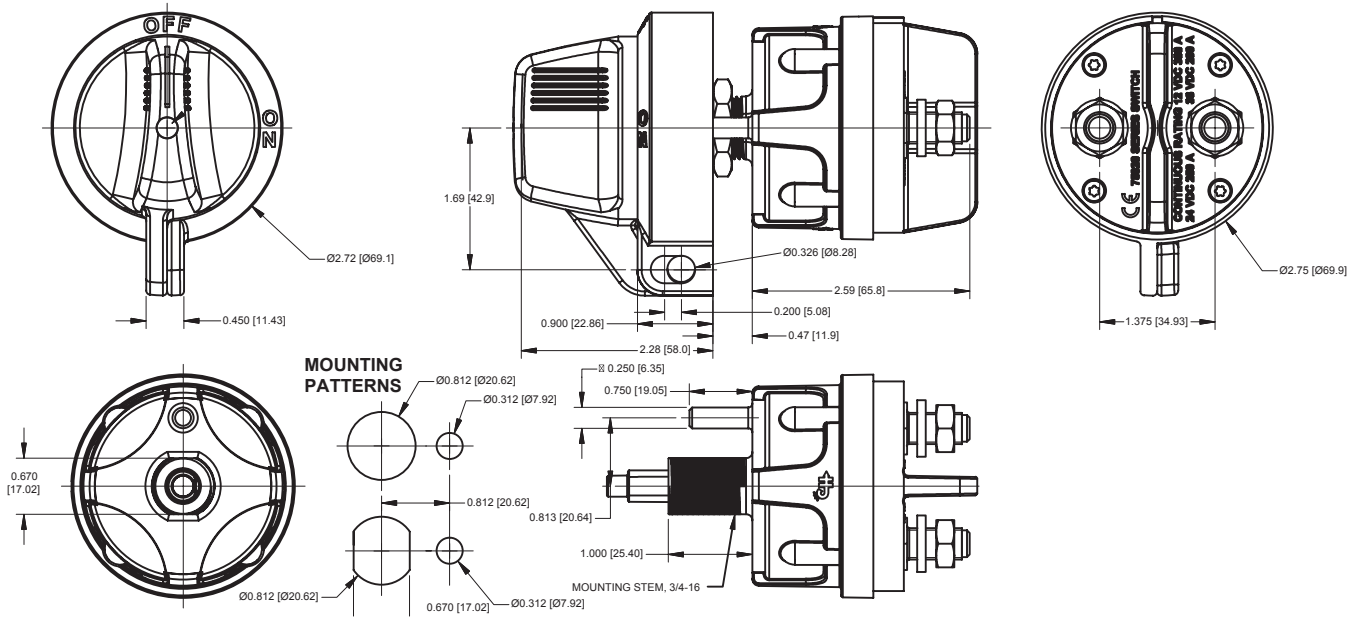
Download installation instructions, 2D prints and technical resources at: [littelfuse.com/75920](http://littelfuse.com/75920)

Datasheet Replaces Hotfeed Number D-618

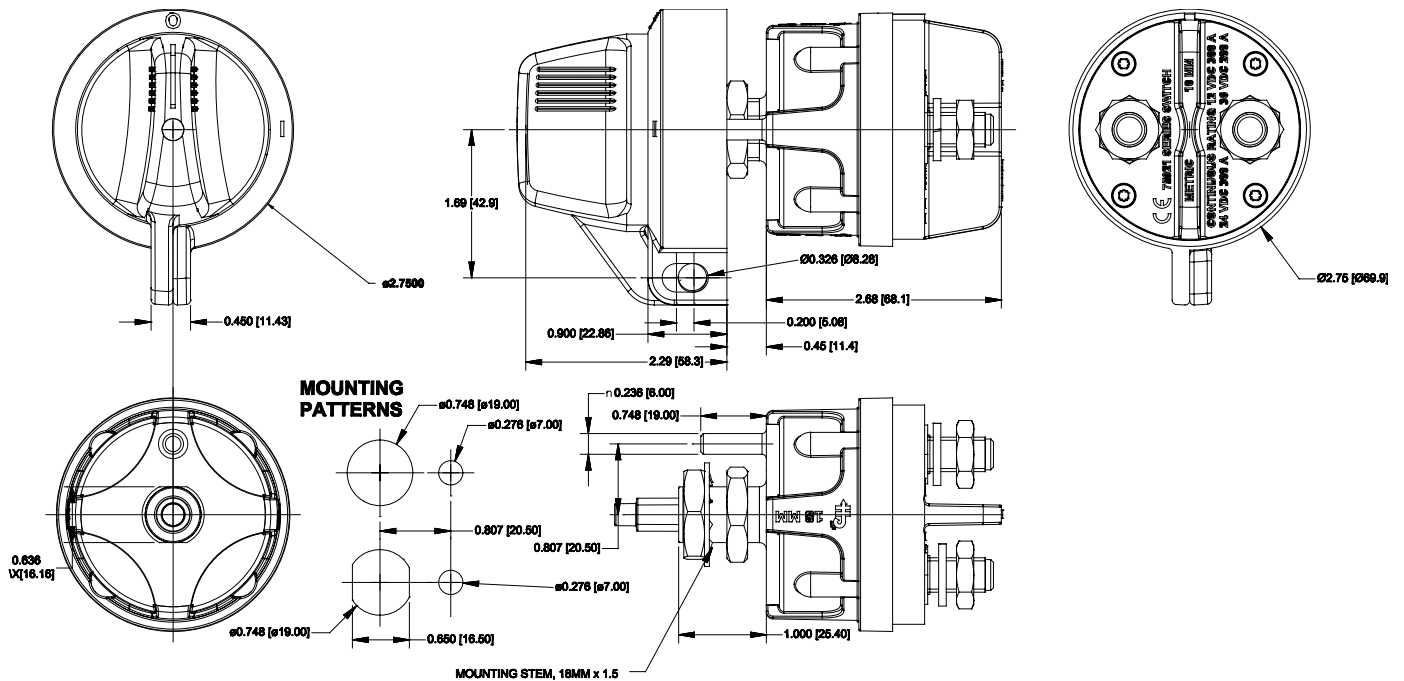
# 75920 MASTER BATTERY DISCONNECT SWITCH SERIES

## Dimensions in inches (millimeters)

### 75920



### 75921



Datasheet Replaces Hotfeed Number D-618